


Qty.	Description
1	<p data-bbox="199 336 566 369"><b>CM 5-5 A-R-A-E-AVBE C-A-A-N</b></p> <div data-bbox="287 436 502 593" style="text-align: center;">  </div> <p data-bbox="199 660 478 694">Product No.: On request</p> <p data-bbox="199 716 1452 817">Compact, reliable, horizontal, multistage, end-suction centrifugal pump with axial suction port and radial discharge port. The shaft, impellers and chambers are made of stainless steel. The inlet and discharge parts are made of cast iron. The mechanical shaft seal is a special designed, unbalanced O-ring seal. Pipework connection is via internal Whitworth pipe threads, Rp (ISO 7/1).</p> <p data-bbox="199 862 1093 896">The pump is fitted with a 1-phase, foot-mounted, fan-cooled asynchronous motor.</p> <p data-bbox="199 952 319 985"><b>Controls:</b></p> <p data-bbox="199 974 638 1008">Frequency converter: NONE</p> <p data-bbox="199 1041 295 1075"><b>Liquid:</b></p> <p data-bbox="199 1064 638 1097">Pumped liquid: Water</p> <p data-bbox="199 1097 694 1131">Liquid temperature range: -20 .. 90 °C</p> <p data-bbox="199 1131 630 1164">Selected liquid temperature: 20 °C</p> <p data-bbox="199 1164 774 1198">Density at selected liquid temperature: 998.2 kg/m<sup>3</sup></p> <p data-bbox="199 1220 327 1254"><b>Technical:</b></p> <p data-bbox="199 1243 821 1276">Pump speed on which pump data are based: 2900 rpm</p> <p data-bbox="199 1276 686 1310">Actual calculated flow: 5.545 m<sup>3</sup>/h</p> <p data-bbox="199 1310 662 1344">Rated flow: 4.7 m<sup>3</sup>/h</p> <p data-bbox="199 1344 662 1377">Resulting head of the pump: 30.32 m</p> <p data-bbox="199 1377 662 1411">Rated head: 38.61 m</p> <p data-bbox="199 1411 630 1444">Code for shaft seal: AVBE</p> <p data-bbox="199 1444 766 1478">Curve tolerance: ISO9906:2012 3B</p> <p data-bbox="199 1500 327 1534"><b>Materials:</b></p> <p data-bbox="199 1534 742 1601">Pump housing: Cast iron EN-GJL-200 ASTM A48-25A</p> <p data-bbox="199 1612 734 1702">Impeller: Stainless steel EN 1.4301 AISI 304</p> <p data-bbox="199 1736 343 1769"><b>Installation:</b></p> <p data-bbox="199 1769 694 1803">Range of ambient temperature: -20 .. 55 °C</p> <p data-bbox="199 1803 638 1836">Maximum operating pressure: 10 bar</p> <p data-bbox="199 1836 726 1881">Max pressure at stated temp: 10 bar / 40 °C 6 bar / 90 °C</p> <p data-bbox="199 1881 598 1915">Type of connection: Rp</p> <p data-bbox="199 1915 678 1948">Size of inlet connection: 1 1/4 inch</p> <p data-bbox="199 1948 630 1982">Size of outlet connection: 1 inch</p> <p data-bbox="199 1982 598 2016">Outlet position: 12</p> <p data-bbox="199 2038 383 2072"><b>Electrical data:</b></p> <p data-bbox="199 2072 614 2105">Motor standard: IEC</p> <p data-bbox="199 2105 614 2139">Frame size: 80B</p>



Company name:

Created by:

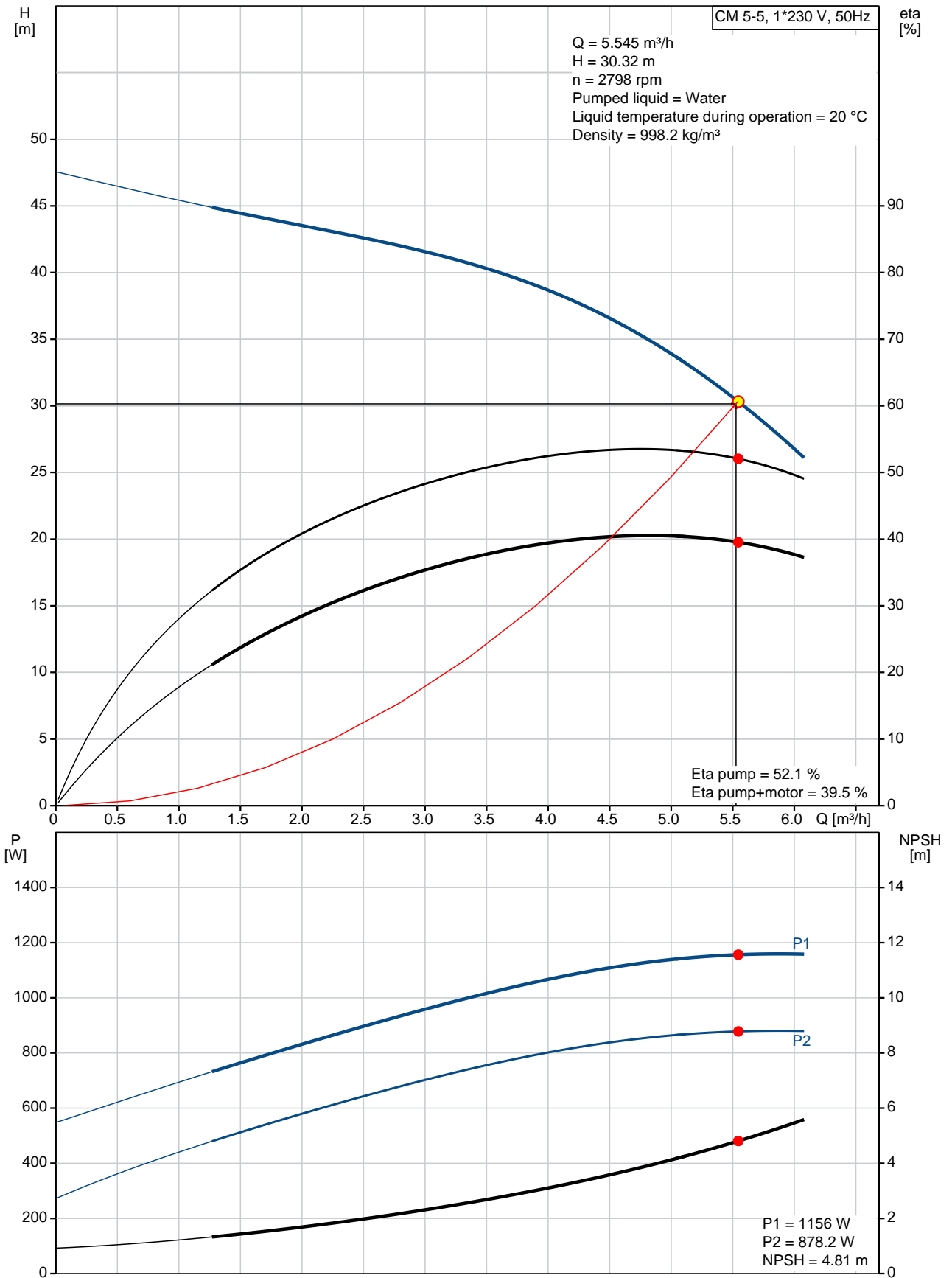
Phone:

Date:

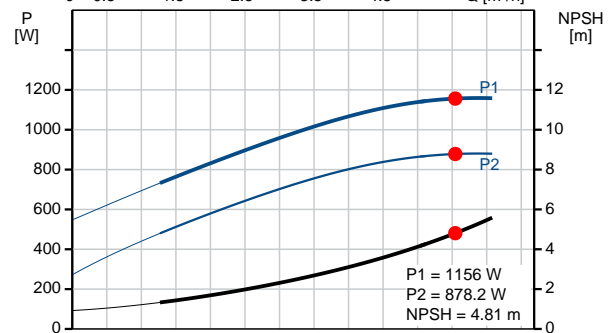
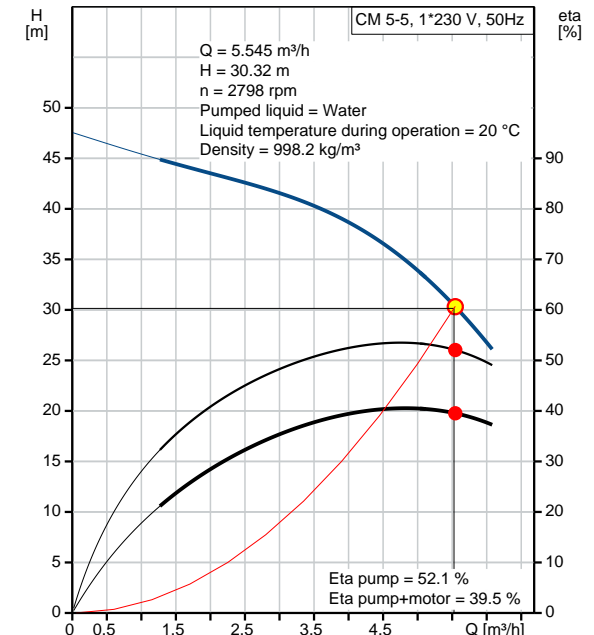
15/09/2019

Qty.	Description
	Rated power - P2: 0.9 kW Mains frequency: 50 Hz Phases: 1 Rated voltage: 220-240 V Service factor: 1.00 Rated current: 5.4-5.0 A Starting current: 430-430 % Rated speed: 2750-2790 rpm Enclosure class (IEC 34-5): IP55 Insulation class (IEC 85): F Built-in motor protection: PTO
	<b>Others:</b> Terminal box position: 12 Minimum efficiency index, MEI : 0.7 Net weight: 14.9 kg Gross weight: 17.4 kg Approvals: CE,WRAS,ACS,TR,EAC Country of origin: FR Custom tariff no.: 84137075

## On request CM 5-5 A-R-A-E-AVBE C-A-A-N 50 Hz



Description	Value
<b>General information:</b>	
Product name:	CM 5-5 A-R-A-E-AVBE C-A-A-N
Product No:	On request
EAN number:	On request
	On request
<b>Technical:</b>	
Pump speed on which pump data are based:	2900 rpm
Actual calculated flow:	5.545 m <sup>3</sup> /h
Rated flow:	4.7 m <sup>3</sup> /h
Resulting head of the pump:	30.32 m
Rated head:	38.61 m
Impellers:	5
Code for shaft seal:	AVBE
Curve tolerance:	ISO9906:2012 3B
Pump version:	A
Model:	A
<b>Materials:</b>	
Pump housing:	Cast iron
	EN-GJL-200
	ASTM A48-25A
Impeller:	Stainless steel
	EN 1.4301
	AISI 304
Material code:	A
Code for rubber:	E
<b>Installation:</b>	
Range of ambient temperature:	-20 .. 55 °C
Maximum operating pressure:	10 bar
Max pressure at stated temp:	10 bar / 40 °C
	6 bar / 90 °C
Type of connection:	Rp
Size of inlet connection:	1 1/4 inch
Size of outlet connection:	1 inch
Outlet position:	12
Connect code:	R
<b>Liquid:</b>	
Pumped liquid:	Water
Liquid temperature range:	-20 .. 90 °C
Selected liquid temperature:	20 °C
Density at selected liquid temperature:	998.2 kg/m <sup>3</sup>
<b>Electrical data:</b>	
Motor standard:	IEC
Frame size:	80B
Rated power - P2:	0.9 kW
Mains frequency:	50 Hz
Phases:	1
Rated voltage:	220-240 V
Service factor:	1.00
Rated current:	5.4-5.0 A
Starting current:	430-430 %
Rated speed:	2750-2790 rpm
Enclosure class (IEC 34-5):	IP55
Insulation class (IEC 85):	F
Built-in motor protection:	PTO
<b>Controls:</b>	
Frequency converter:	NONE





Company name:

Created by:

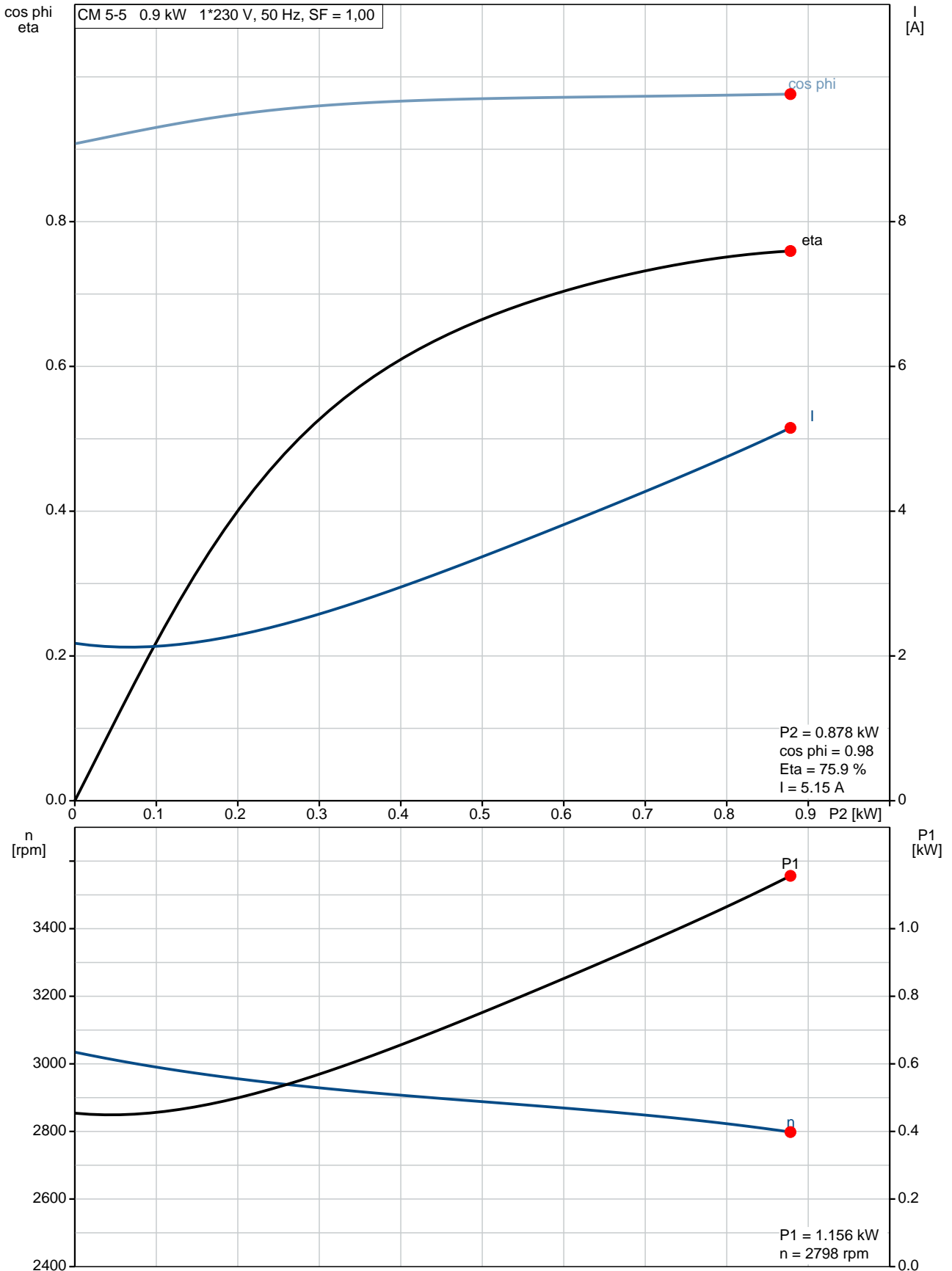
Phone:

Date:

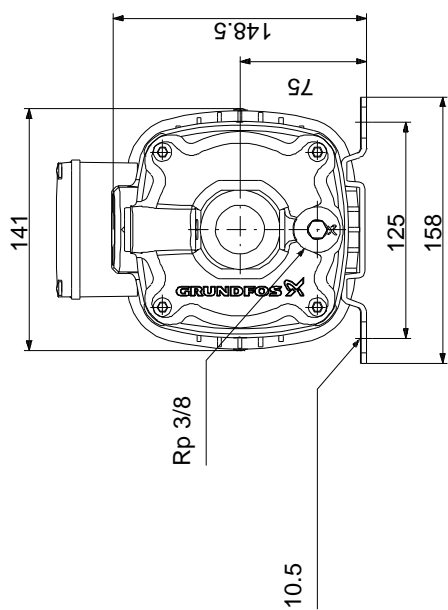
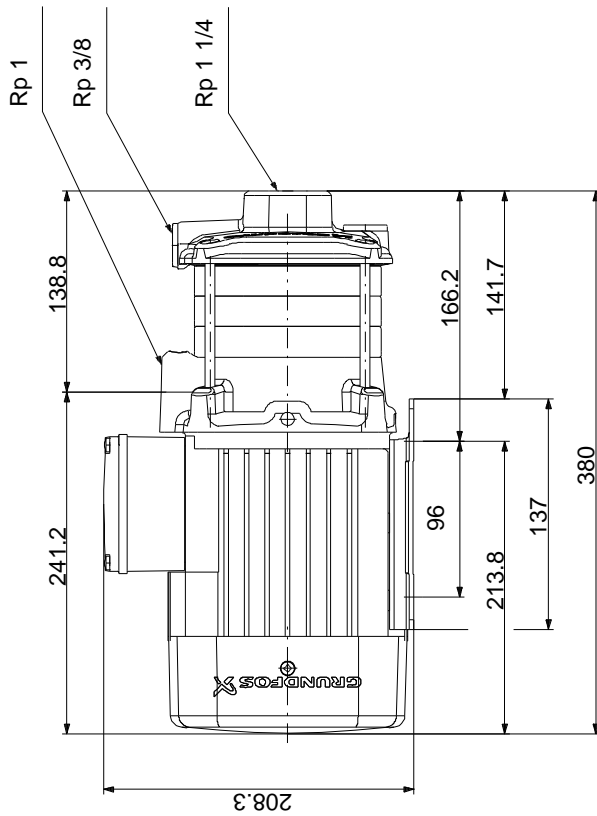
15/09/2019

Description	Value
<b>Others:</b>	
Terminal box position:	12
Minimum efficiency index, MEI :	0.7
Net weight:	14.9 kg
Gross weight:	17.4 kg
Approvals:	CE,WRAS,ACS,TR,EAC
Country of origin:	FR
Custom tariff no.:	84137075

## On request CM 5-5 A-R-A-E-AVBE C-A-A-N 50 Hz

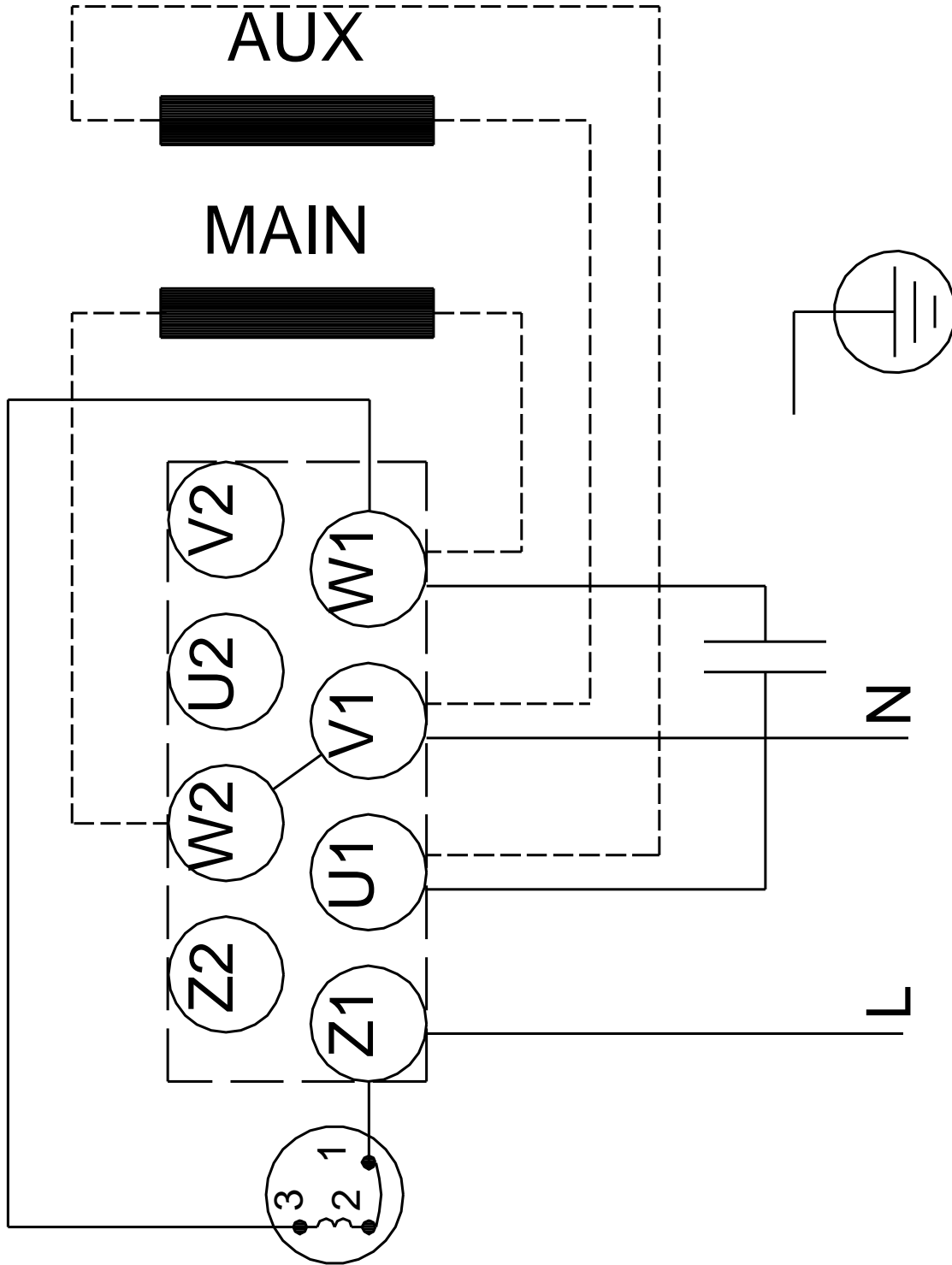


## On request CM 5-5 A-R-A-E-AVBE C-A-A-N 50 Hz



Note! All units are in [mm] unless others are stated.  
Disclaimer: This simplified dimensional drawing does not show all details.

## On request CM 5-5 A-R-A-E-AVBE C-A-A-N 50 Hz



Note! All units are in [mm] unless others are stated.