


| Qty. | Description |
|------|--|
| 1 | <p data-bbox="199 336 566 369">CM 3-5 A-R-A-E-AVBE C-A-A-N</p> <div data-bbox="295 436 494 593" style="text-align: center;">  </div> <p data-bbox="199 660 478 683">Product No.: On request</p> <p data-bbox="199 716 1452 817">Compact, reliable, horizontal, multistage, end-suction centrifugal pump with axial suction port and radial discharge port. The shaft, impellers and chambers are made of stainless steel. The inlet and discharge parts are made of cast iron. The mechanical shaft seal is a special designed, unbalanced O-ring seal. Pipework connection is via internal Whitworth pipe threads, Rp (ISO 7/1).</p> <p data-bbox="199 862 1093 884">The pump is fitted with a 1-phase, foot-mounted, fan-cooled asynchronous motor.</p> <p data-bbox="199 952 319 974">Controls:</p> <p data-bbox="199 981 638 1008">Frequency converter: NONE</p> <p data-bbox="199 1041 287 1064">Liquid:</p> <p data-bbox="199 1070 638 1097">Pumped liquid: Water</p> <p data-bbox="199 1104 694 1131">Liquid temperature range: -20 .. 90 °C</p> <p data-bbox="199 1137 630 1164">Selected liquid temperature: 20 °C</p> <p data-bbox="199 1171 774 1198">Density at selected liquid temperature: 998.2 kg/m³</p> <p data-bbox="199 1220 327 1243">Technical:</p> <p data-bbox="199 1249 821 1276">Pump speed on which pump data are based: 2900 rpm</p> <p data-bbox="199 1283 686 1310">Actual calculated flow: 3.591 m³/h</p> <p data-bbox="199 1317 662 1344">Rated flow: 3.1 m³/h</p> <p data-bbox="199 1350 662 1377">Resulting head of the pump: 26.01 m</p> <p data-bbox="199 1384 662 1411">Rated head: 34.75 m</p> <p data-bbox="199 1417 630 1444">Code for shaft seal: AVBE</p> <p data-bbox="199 1451 766 1478">Curve tolerance: ISO9906:2012 3B</p> <p data-bbox="199 1500 319 1523">Materials:</p> <p data-bbox="199 1529 742 1601">Pump housing: Cast iron EN-GJL-200 ASTM A48-25A</p> <p data-bbox="199 1612 726 1691">Impeller: Stainless steel EN 1.4301 AISI 304</p> <p data-bbox="199 1736 343 1758">Installation:</p> <p data-bbox="199 1765 694 1792">Range of ambient temperature: -20 .. 55 °C</p> <p data-bbox="199 1798 638 1825">Maximum operating pressure: 10 bar</p> <p data-bbox="199 1832 726 1870">Max pressure at stated temp: 10 bar / 40 °C 6 bar / 90 °C</p> <p data-bbox="199 1881 598 1908">Type of connection: Rp</p> <p data-bbox="199 1915 630 1942">Size of inlet connection: 1 inch</p> <p data-bbox="199 1948 630 1975">Size of outlet connection: 1 inch</p> <p data-bbox="199 1982 598 2009">Outlet position: 12</p> <p data-bbox="199 2027 383 2049">Electrical data:</p> <p data-bbox="199 2056 614 2083">Motor standard: IEC</p> <p data-bbox="199 2089 614 2116">Frame size: 71B</p> |



Company name:

Created by:

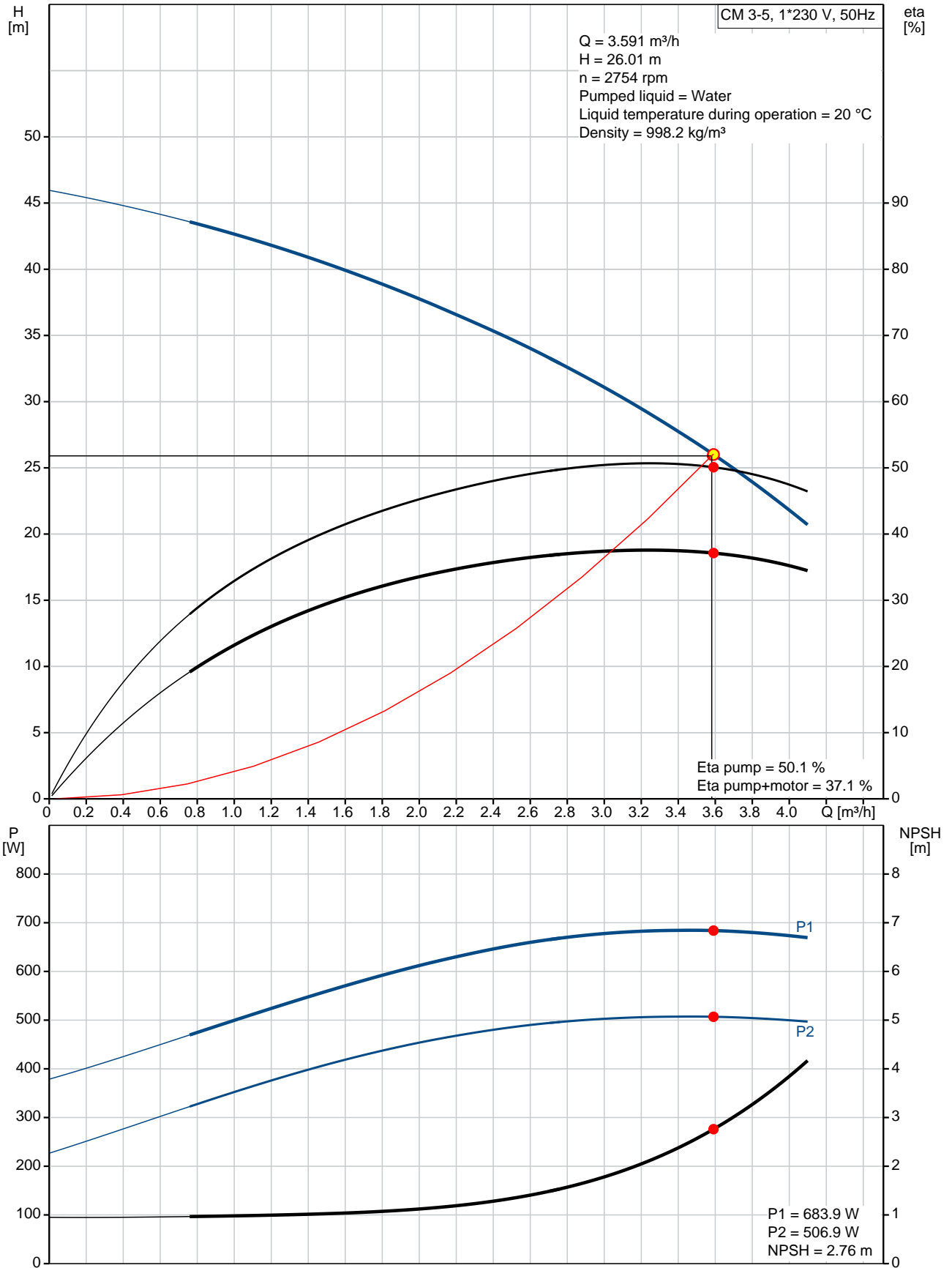
Phone:

Date:

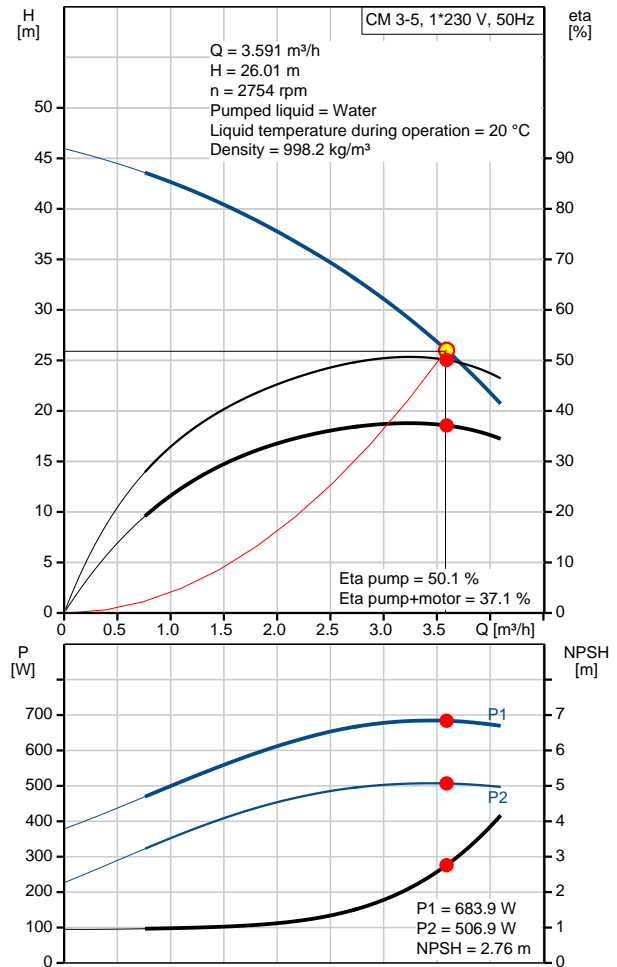
14/09/2019

| Qty. | Description |
|------|-------------------------------------|
| | Rated power - P2: 0.5 kW |
| | Mains frequency: 50 Hz |
| | Phases: 1 |
| | Rated voltage: 220-240 V |
| | Service factor: 1.00 |
| | Rated current: 3.1-2.8 A |
| | Starting current: 530-530 % |
| | Rated speed: 2730-2740 rpm |
| | Enclosure class (IEC 34-5): IP55 |
| | Insulation class (IEC 85): F |
| | Built-in motor protection: PTO |
| | Others: |
| | Terminal box position: 12 |
| | Minimum efficiency index, MEI : 0.7 |
| | Net weight: 12.5 kg |
| | Gross weight: 15 kg |
| | Approvals: CE,WRAS,ACS,TR,EAC |
| | Country of origin: FR |
| | Custom tariff no.: 84137075 |

On request CM 3-5 A-R-A-E-AVBE C-A-A-N 50 Hz



| Description | Value |
|--|--------------------------------|
| General information: | |
| Product name: | CM 3-5 A-R-A-E-AVBE C-A-A-N |
| Product No: | On request |
| EAN number: | On request |
| | On request |
| Technical: | |
| Pump speed on which pump data are based: | 2900 rpm |
| Actual calculated flow: | 3.591 m ³ /h |
| Rated flow: | 3.1 m ³ /h |
| Resulting head of the pump: | 26.01 m |
| Rated head: | 34.75 m |
| Impellers: | 5 |
| Code for shaft seal: | AVBE |
| Curve tolerance: | ISO9906:2012 3B |
| Pump version: | A |
| Model: | A |
| Materials: | |
| Pump housing: | Cast iron |
| | EN-GJL-200 |
| | ASTM A48-25A |
| Impeller: | Stainless steel |
| | EN 1.4301 |
| | AISI 304 |
| Material code: | A |
| Code for rubber: | E |
| Installation: | |
| Range of ambient temperature: | -20 .. 55 °C |
| Maximum operating pressure: | 10 bar |
| Max pressure at stated temp: | 10 bar / 40 °C |
| | 6 bar / 90 °C |
| Type of connection: | Rp |
| Size of inlet connection: | 1 inch |
| Size of outlet connection: | 1 inch |
| Outlet position: | 12 |
| Connect code: | R |
| Liquid: | |
| Pumped liquid: | Water |
| Liquid temperature range: | -20 .. 90 °C |
| Selected liquid temperature: | 20 °C |
| Density at selected liquid temperature: | 998.2 kg/m ³ |
| Electrical data: | |
| Motor standard: | IEC |
| Frame size: | 71B |
| Rated power - P2: | 0.5 kW |
| Mains frequency: | 50 Hz |
| Phases: | 1 |
| Rated voltage: | 220-240 V |
| Service factor: | 1.00 |
| Rated current: | 3.1-2.8 A |
| Starting current: | 530-530 % |
| Rated speed: | 2730-2740 rpm |
| Enclosure class (IEC 34-5): | IP55 |
| Insulation class (IEC 85): | F |
| Built-in motor protection: | PTO |
| Controls: | |
| Frequency converter: | NONE |





Company name:

Created by:

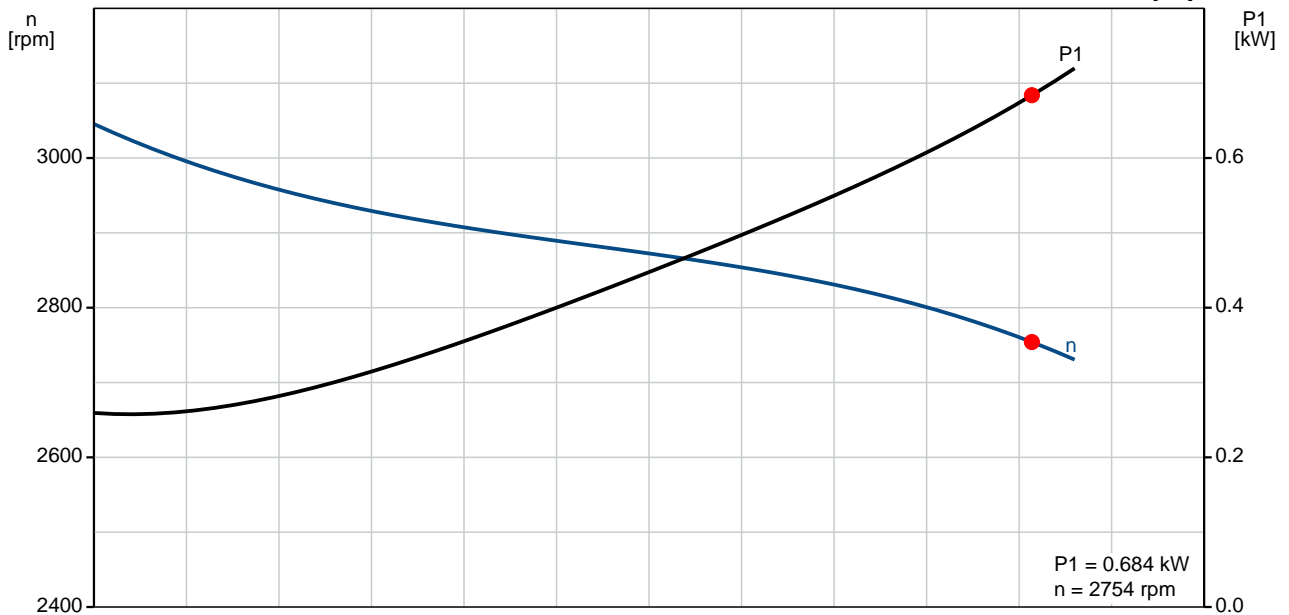
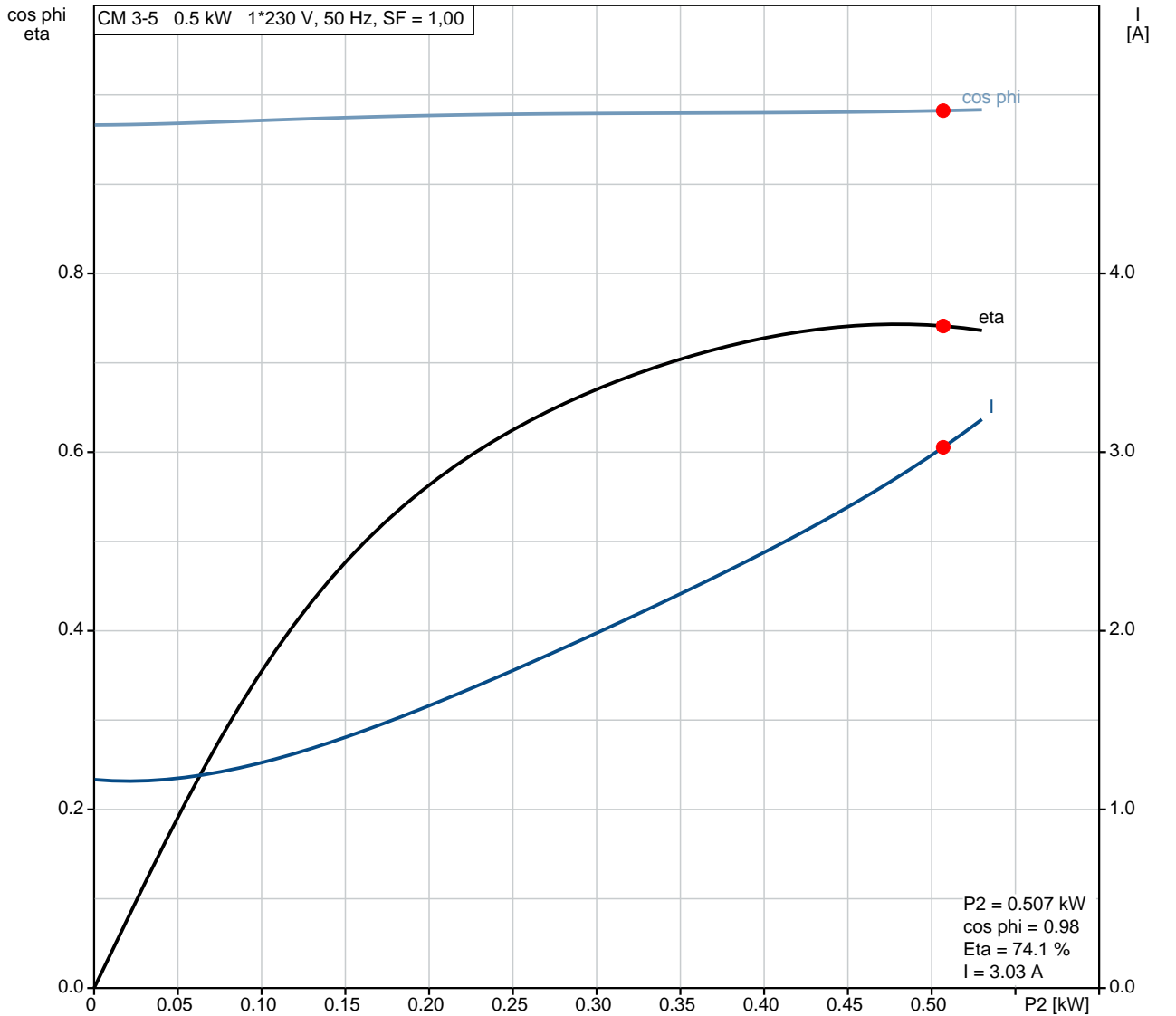
Phone:

Date:

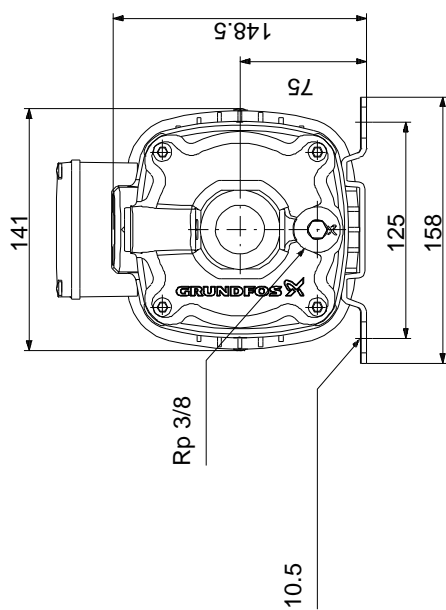
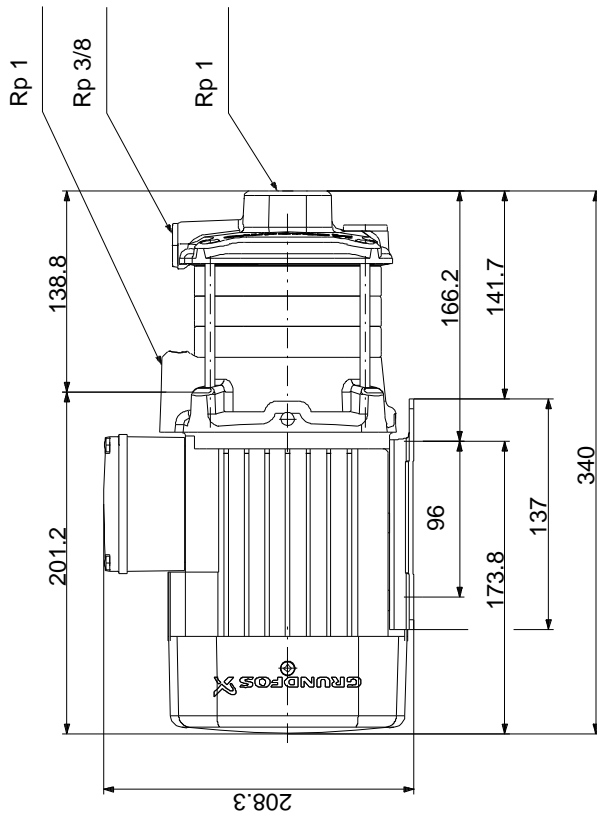
14/09/2019

| Description | Value |
|---------------------------------|--------------------|
| Others: | |
| Terminal box position: | 12 |
| Minimum efficiency index, MEI : | 0.7 |
| Net weight: | 12.5 kg |
| Gross weight: | 15 kg |
| Approvals: | CE,WRAS,ACS,TR,EAC |
| Country of origin: | FR |
| Custom tariff no.: | 84137075 |

On request CM 3-5 A-R-A-E-AVBE C-A-A-N 50 Hz

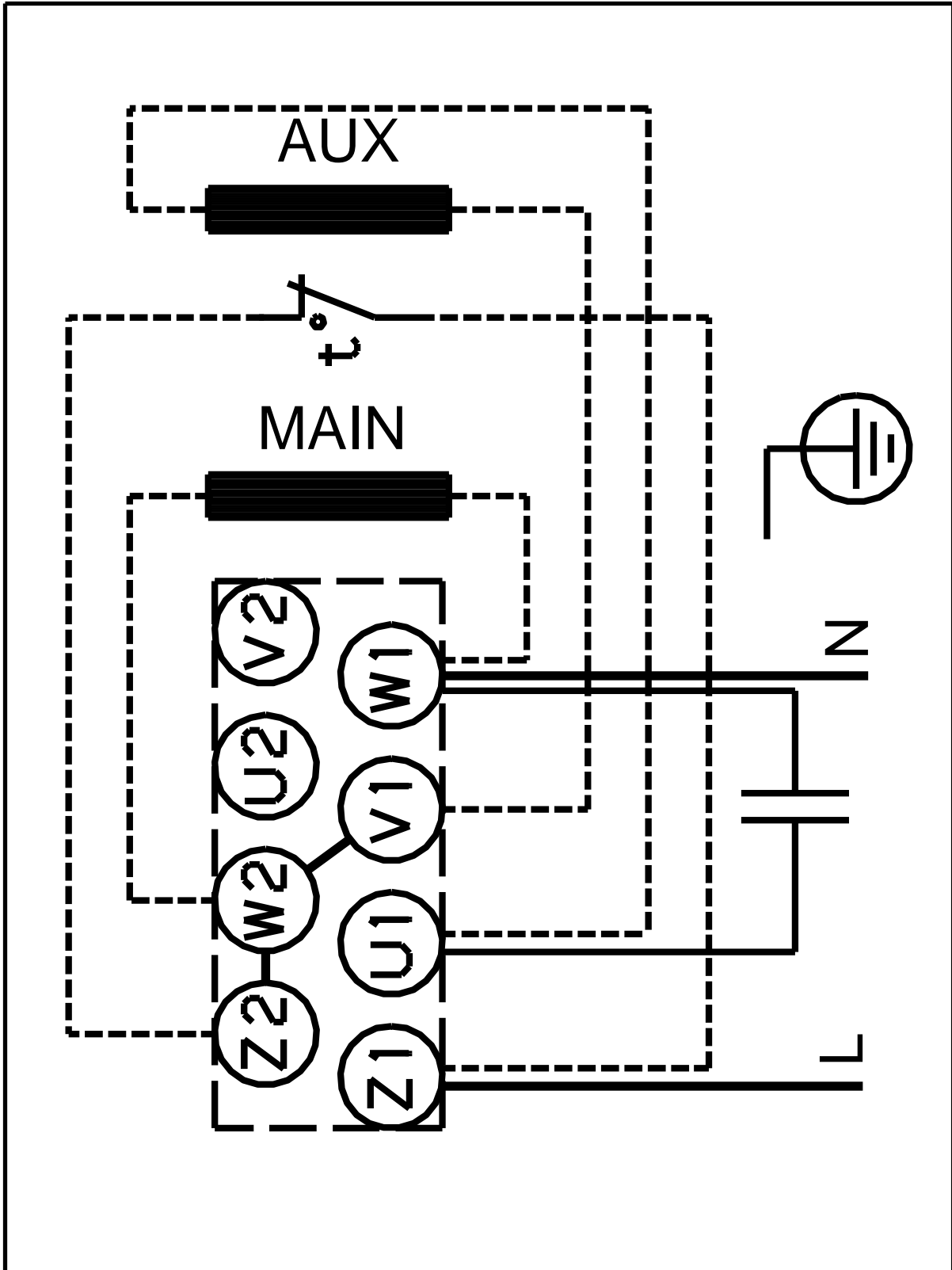


On request CM 3-5 A-R-A-E-AVBE C-A-A-N 50 Hz



Note! All units are in [mm] unless others are stated.
Disclaimer: This simplified dimensional drawing does not show all details.

On request CM 3-5 A-R-A-E-AVBE C-A-A-N 50 Hz



Note! All units are in [mm] unless others are stated.