

**Qty. Description**

1 JP 5-48 S-BBVP



Note! Product picture may differ from actual product

Product No.: On request

Grundfos JP 5-48 S-BBVP is a self-priming single-stage centrifugal jet pump with axial inlet and radial outlet for easy adaption to local piping system. The JP pump is ideal for transferring water from wells or ground tanks in a large variety of installations and it has excellent suction capacity.

The JP pump is designed for a long and trouble-free operation. The overall design is robust with excellent corrosion resistance ensured by the stainless steel pump housing, composite impeller and paint application by electrophoresis. JP is small and compact with a lifting handle that makes the pump handy and easy to carry. The compact pump features a built in ejector with guide vanes. This ensures optimum self-priming properties, featuring a suction-lift up to 8 meters. The self-priming pump also ensures a stable operation as is it able to lift liquid from below the inlet level and can handle a mix of air and liquid until the pump reaches a fully-primed pumping condition.

The JP pump has built-in thermal protection, which immediately stops the pump if it overheats. The motor is air cooled and equipped with oversized, sealed, greased-for-life ball bearings to ensure silent operation and minimum service.

**Liquid:**

Pumped liquid: Water  
 Liquid temperature range: 0 .. 40 °C  
 Selected liquid temperature: 20 °C  
 Density at selected liquid temperature: 998.2 kg/m<sup>3</sup>

**Technical:**

Rated flow: 5 m<sup>3</sup>/h  
 Primary shaft seal: BBVP  
 Approvals on nameplate: CE,EAC  
 Curve tolerance: ISO9906:2012 3B  
 Rated driver speed: 2800 rpm

**Materials:**

Pump housing: Stainless steel  
 EN 1.4301  
 AISI 304  
 Impeller: Composite

**Installation:**

Range of ambient temperature: 0 .. 40 °C  
 Maximum operating pressure: 6 bar  
 Maximum permissible inlet pressure: 1 bar  
 Pump inlet: G1  
 Pump outlet: G1

**Electrical data:**

Power input - P1: 1490 W  
 Rated power - P2: 1.014 kW



**Company name:**

**Created by:** GEORGIADIS LEONIDAS

**Phone:** 210 - 41 17 404

**Email:** info@g-pumps.com

**Date:** 15/09/2019

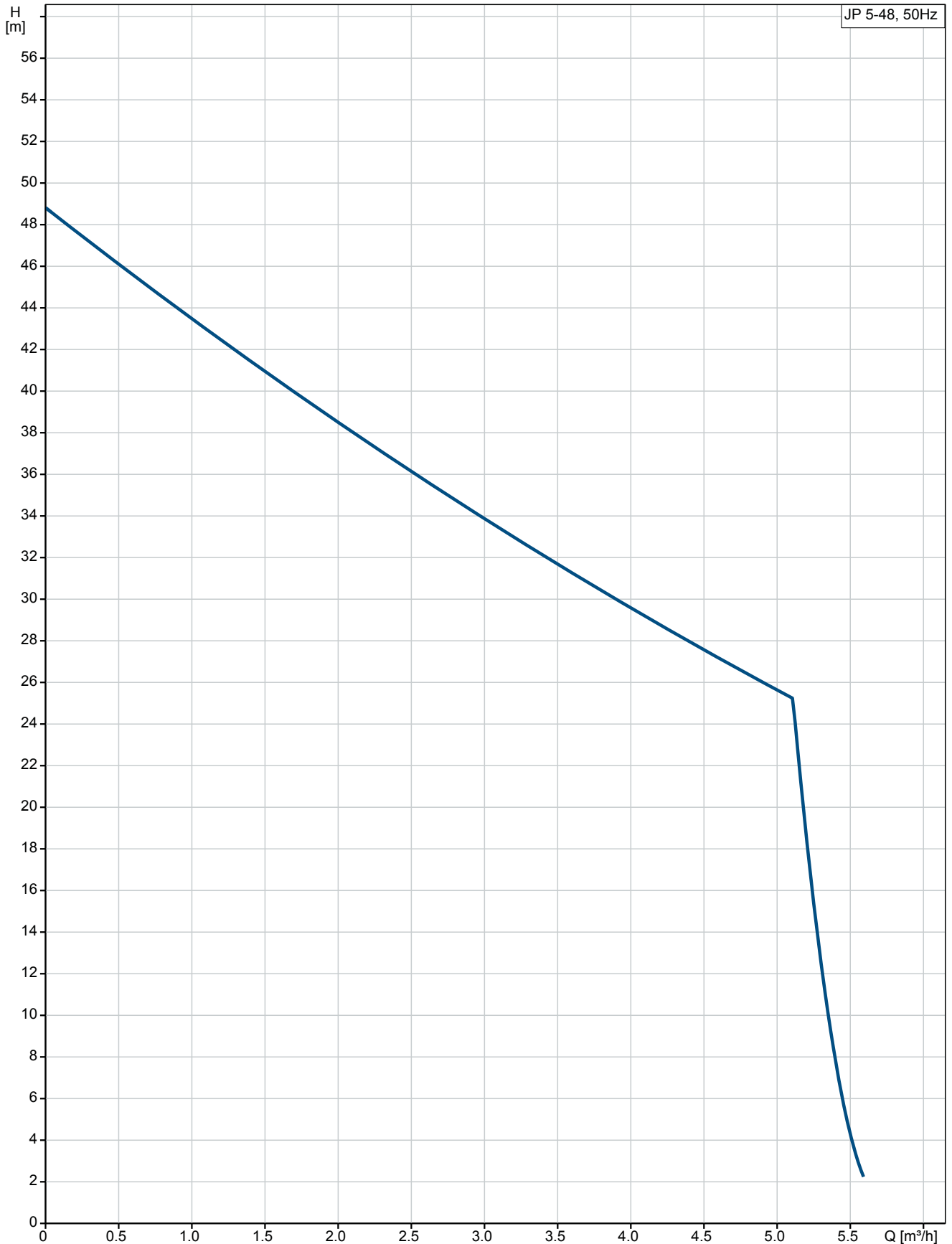
Qty.	Description
------	-------------

Mains frequency:	50 Hz
Rated voltage:	1 x 230 V
Rated current:	6.6 A
Starting current:	27.9 A
Capacitor size - run:	25 µF/450 V
Enclosure class (IEC 34-5):	IP44
Insulation class (IEC 85):	F
Type of cable plug:	SCHUKO

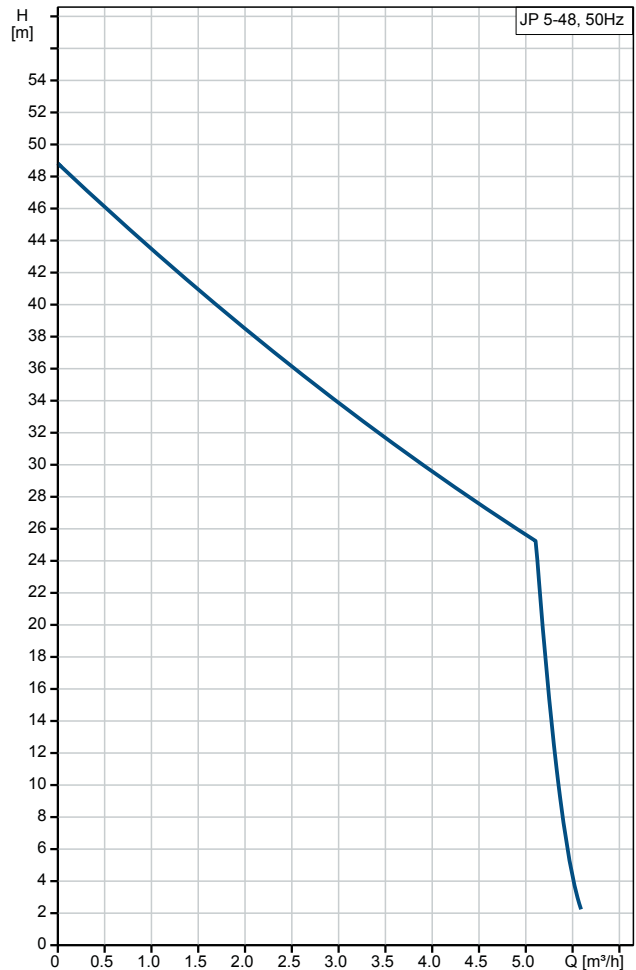
**Others:**

Net weight:	12 kg
Gross weight:	14 kg
Shipping volume:	0.026 m <sup>3</sup>
Danish VVS No.:	385534050
Swedish RSK No.:	5928696
Finnish LVI No.:	4732538
Norwegian NRF no.:	9040047
Country of origin:	HU
Custom tariff no.:	84137051

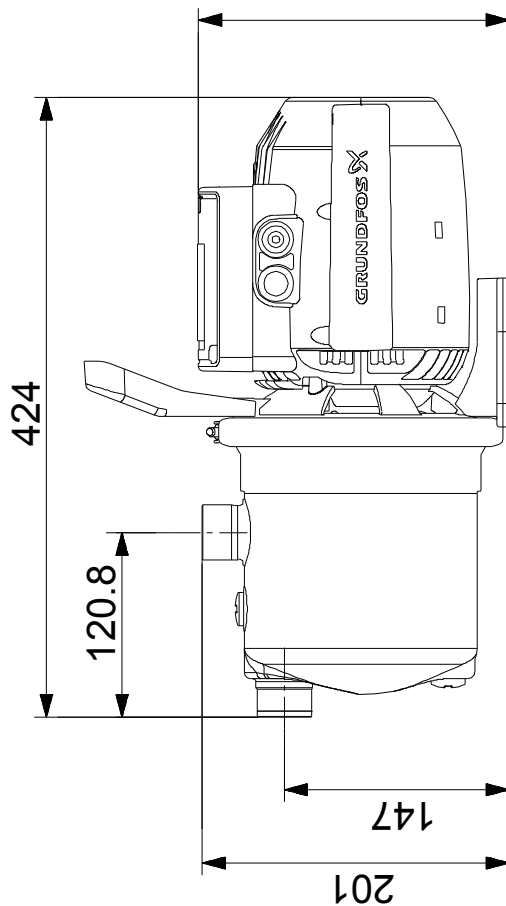
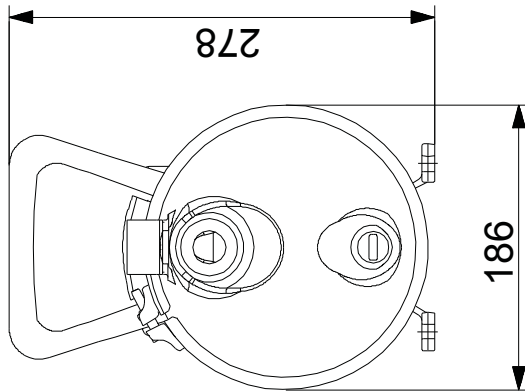
## On request JP 5-48 S-BBVP 50 Hz



Description	Value
<b>General information:</b>	
Product name:	JP 5-48 S-BBVP
Product No:	On request
EAN number:	On request
	On request
<b>Technical:</b>	
Rated flow:	5 m <sup>3</sup> /h
Head max:	48.3 m
Primary shaft seal:	BBVP
Approvals on nameplate:	CE,EAC
Curve tolerance:	ISO9906:2012 3B
Model:	A
Rated driver speed:	2800 rpm
<b>Materials:</b>	
Pump housing:	Stainless steel EN 1.4301 AISI 304
Impeller:	Composite
Material code:	S
<b>Installation:</b>	
Range of ambient temperature:	0 .. 40 °C
Maximum operating pressure:	6 bar
Maximum permissible inlet pressure:	1 bar
Pump inlet:	G1
Pump outlet:	G1
<b>Liquid:</b>	
Pumped liquid:	Water
Liquid temperature range:	0 .. 40 °C
Selected liquid temperature:	20 °C
Density at selected liquid temperature:	998.2 kg/m <sup>3</sup>
<b>Electrical data:</b>	
Power input - P1:	1490 W
Rated power - P2:	1.014 kW
Mains frequency:	50 Hz
Rated voltage:	1 x 230 V
Rated current:	6.6 A
Starting current:	27.9 A
Capacitor size - run:	25 µF/450 V
Enclosure class (IEC 34-5):	IP44
Insulation class (IEC 85):	F
Type of cable plug:	SCHUKO
Cable:	Y
<b>Controls:</b>	
Presscontrol:	without press control
Switch:	on/off switch not included
<b>Others:</b>	
Net weight:	12 kg
Gross weight:	14 kg
Shipping volume:	0.026 m <sup>3</sup>
Danish VVS No.:	385534050
Swedish RSK No.:	5928696
Finnish LVI No.:	4732538
Norwegian NRF no.:	9040047
Country of origin:	HU
Custom tariff no.:	84137051

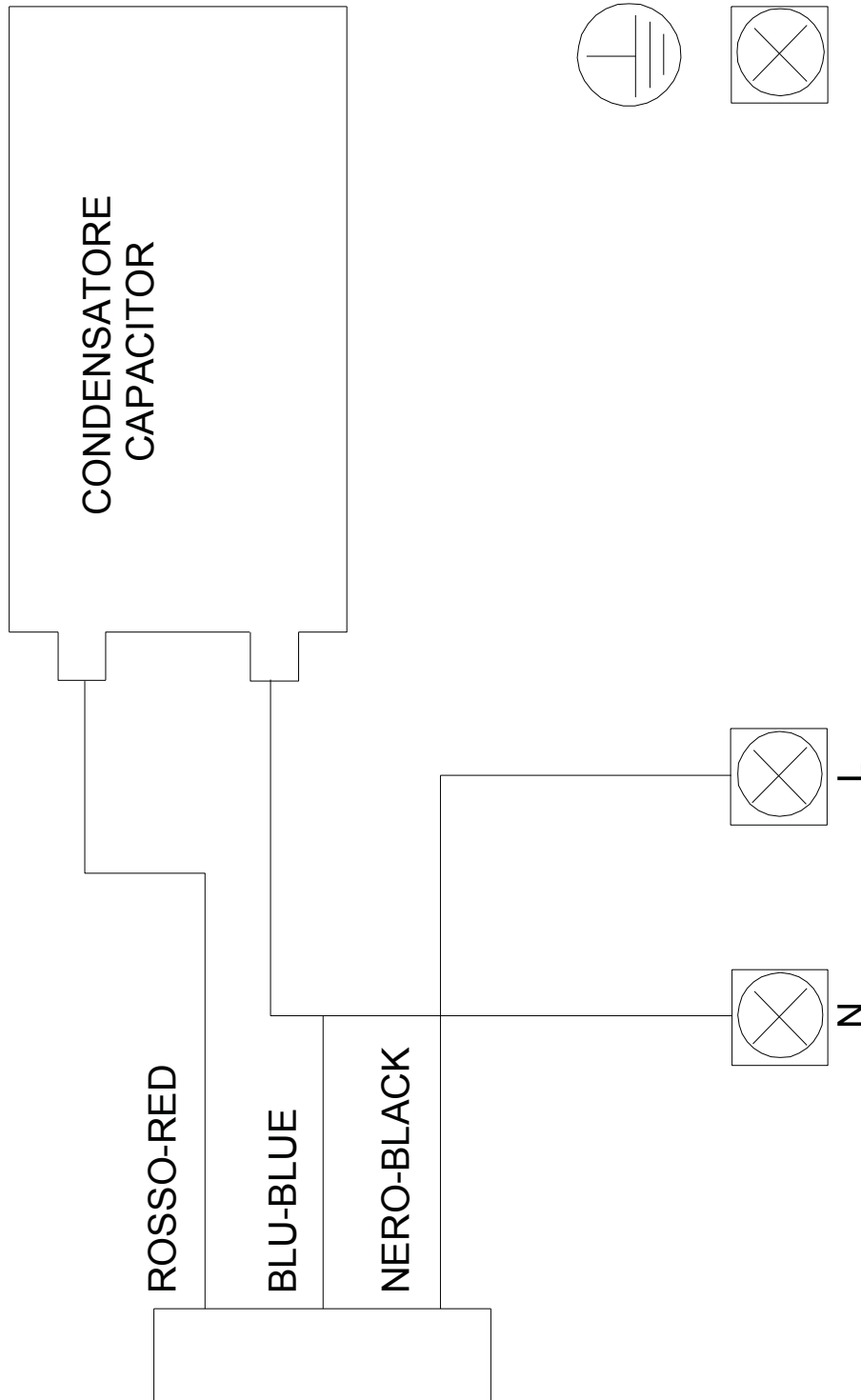


**On request JP 5-48 S-BBVP 50 Hz**



Note! All units are in [mm] unless others are stated.  
Disclaimer: This simplified dimensional drawing does not show all details.

## On request JP 5-48 S-BBVP 50 Hz



Note! All units are in [mm] unless others are stated.