

Qty. Description

1 ALPHA1 L 32-60 180



Note! Product picture may differ from actual product

Product No.: On request

Grundfos ALPHA1 L 32-60 180 is a high-efficiency circulator pump with permanent-magnet motor (ECM technology).

The pump features three control modes; radiator heating mode, underfloor heating mode and constant curve/constant speed.

Furthermore, the speed can be controlled by a low-voltage PWM (Pulse Width Modulation) signal.

The pump has a ceramic shaft and radial bearings, carbon thrust bearing, stainless-steel rotor can, bearing plate and rotor cladding, composite impeller, all of which contribute to long life, and the pump is self-venting, which contributes to easy commissioning as well as simple selection of control mode.

The compact design featuring pump head with integrated control box and control panel fits into most common installations as well as boilers.

The pump and motor form an integral unit without shaft seal. The pump is of the wet-runner design. This means the bearings are lubricated by the pumped liquid. These constructions ensure maintenance-free operation.

The pump housing is made of cast iron and is electrocoated to improve the corrosion resistance.

The motor is a synchronous permanent-magnet rotor/compact-stator motor. The pump controller is incorporated in the control box, which is fitted to the stator housing and connected to the stator via a terminal plug.

Features ALPHA1 L

- Three constant curves/constant speed.
- Radiator heating mode.
- Underfloor heating mode.
- PWM profile for heating applications (profile A). The PWM signal is a method for generating an analog signal using a digital source.
- Energy-optimised, complies with the ErP directive
- Unblocking screw, accessible from the front of the control box.
- Runs reliably and efficiently under even the most demanding conditions
- Adjustable and flexible installer plug, with two possible cable gland positions.

Liquid:

Pumped liquid: Water
Liquid temperature range: 2 .. 95 °C
Selected liquid temperature: 60 °C
Density at selected liquid temperature: 983.2 kg/m³

Technical:

TF class: 95
Approvals on nameplate: CE,VDE,EAC

Materials:



Company name:

Created by: GEORGIADIS LEONIDAS

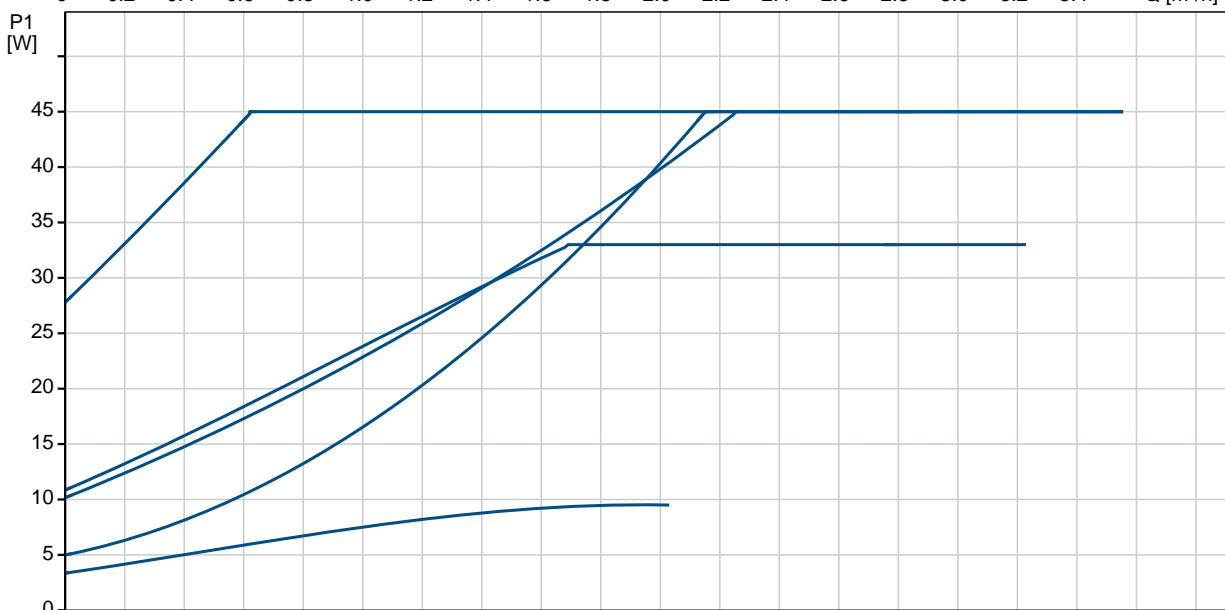
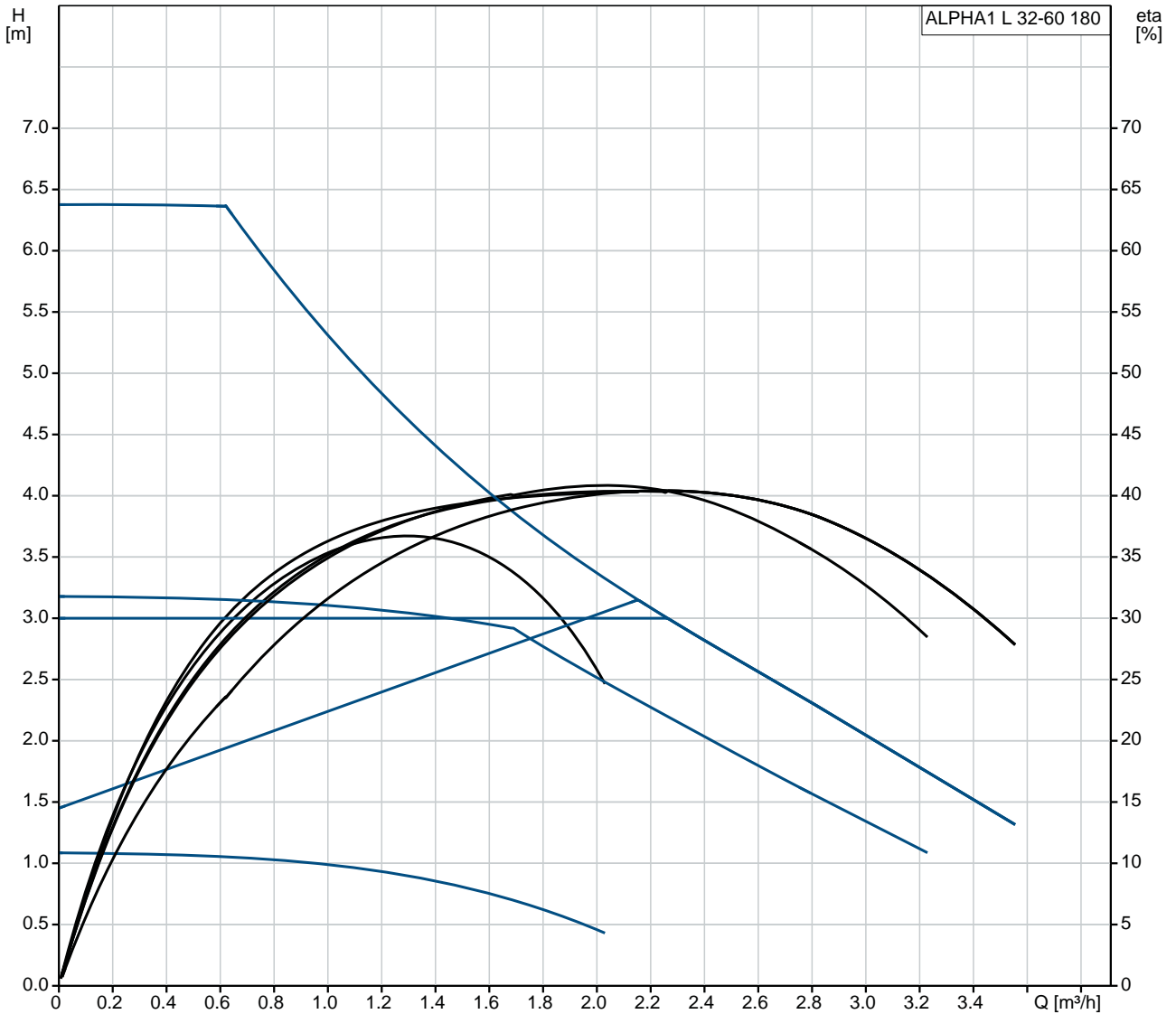
Phone: 210 - 41 17 404

Email: info@g-pumps.com

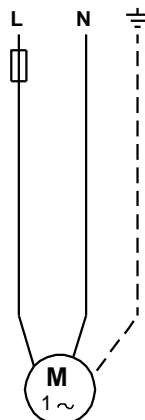
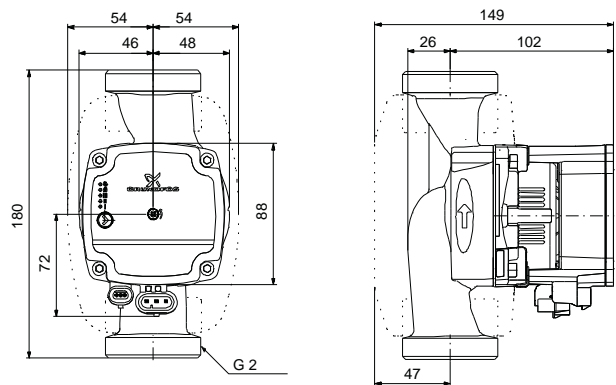
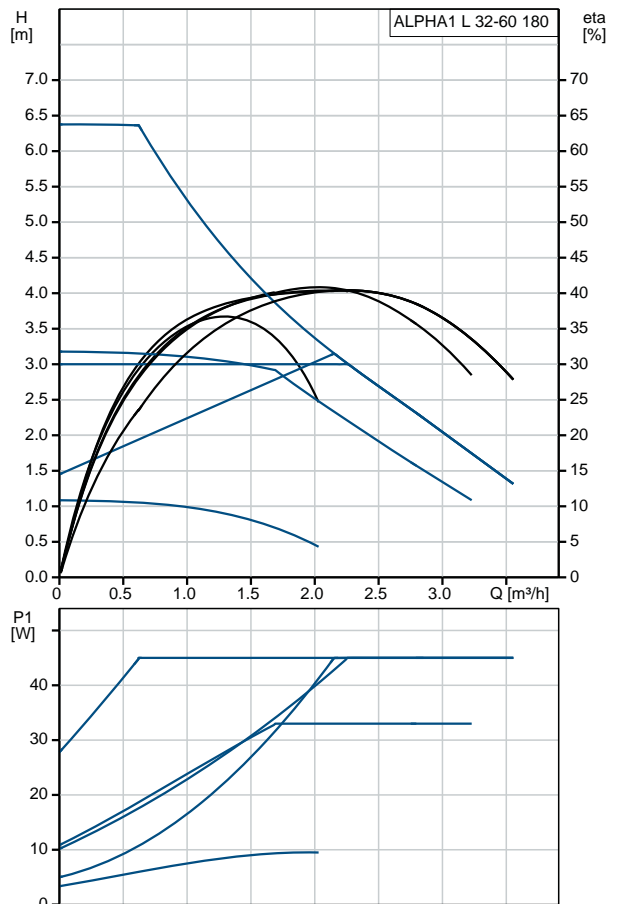
Date: 21/09/2019

Qty.	Description
	<p>Pump housing: Cast iron EN 1561 EN-GJL-150 ASTM A48-150B</p> <p>Impeller: Composite/PES 30 % GF</p> <p>Installation: Range of ambient temperature: 0 .. 55 °C Maximum operating pressure: 10 bar Pipe connection: G 2 Pressure rating: PN 10 Port-to-port length: 180 mm</p> <p>Electrical data: Power input - P1: 4 .. 45 W Mains frequency: 50 Hz Rated voltage: 1 x 230 V Maximum current consumption: 0.05 .. 0.42 A Enclosure class (IEC 34-5): X4D Insulation class (IEC 85): F</p> <p>Others: Energy (EEI): 0.20 Net weight: 2.23 kg Gross weight: 2.33 kg Shipping volume: 0.004 m³ Country of origin: DK Custom tariff no.: 84137030</p>

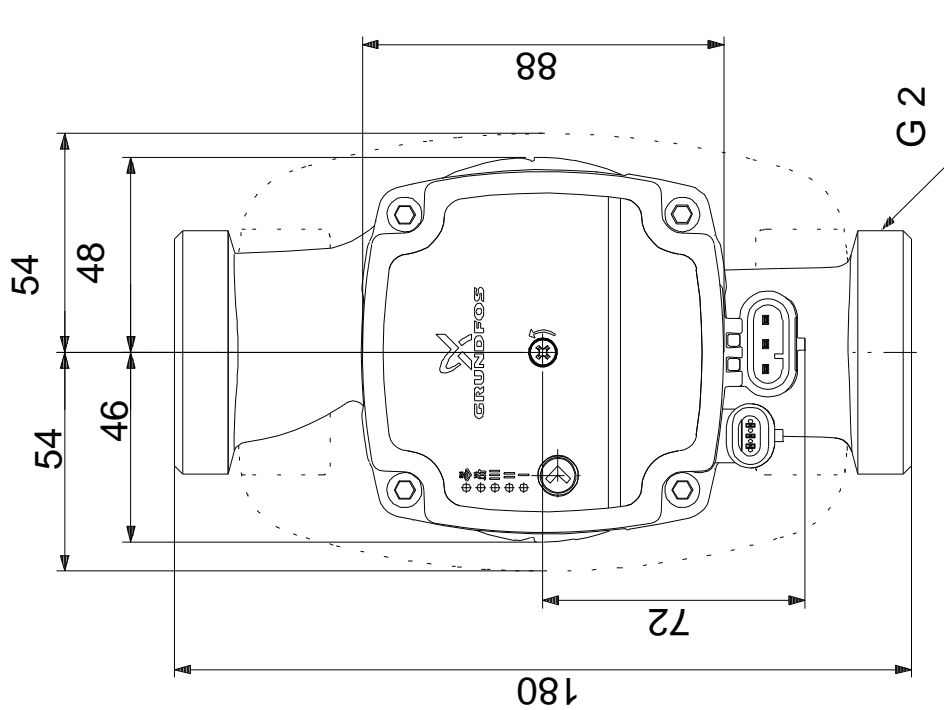
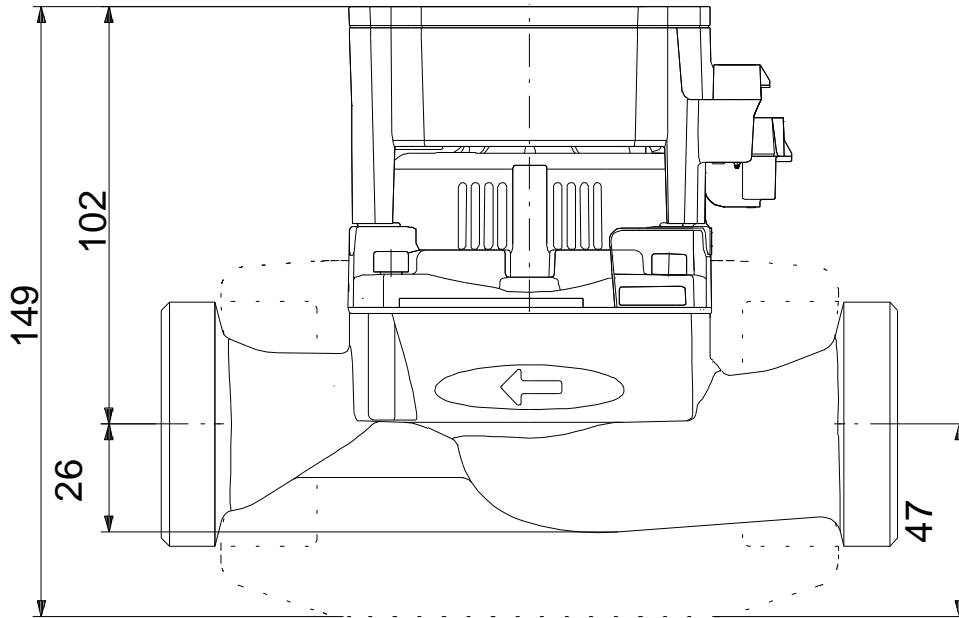
On request ALPHA1 L 32-60 180 50 Hz



Description	Value
General information:	
Product name:	ALPHA1 L 32-60 180
Product No:	On request
EAN number:	On request
Technical:	
Head max:	6 m
TF class:	95
Approvals on nameplate:	CE,VDE,EAC
Model:	C
Materials:	
Pump housing:	Cast iron
	EN 1561 EN-GJL-150
	ASTM A48-150B
Impeller:	Composite/PES 30 % GF
Installation:	
Range of ambient temperature:	0 .. 55 °C
Maximum operating pressure:	10 bar
Pipe connection:	G 2
Pressure rating:	PN 10
Port-to-port length:	180 mm
Liquid:	
Pumped liquid:	Water
Liquid temperature range:	2 .. 95 °C
Selected liquid temperature:	60 °C
Density at selected liquid temperature:	983.2 kg/m ³
Electrical data:	
Power input - P1:	4 .. 45 W
Mains frequency:	50 Hz
Rated voltage:	1 x 230 V
Maximum current consumption:	0.05 .. 0.42 A
Enclosure class (IEC 34-5):	X4D
Insulation class (IEC 85):	F
Motor protec:	NONE
Thermal protec:	ELEC
Controls:	
Pos term box:	6H
Others:	
Energy (EEI):	0.20
Net weight:	2.23 kg
Gross weight:	2.33 kg
Shipping volume:	0.004 m ³
Country of origin:	DK
Custom tariff no.:	84137030



On request ALPHA1 L 32-60 180 50 Hz



Note! All units are in [mm] unless others are stated.
Disclaimer: This simplified dimensional drawing does not show all details.