

**Qty. Description**1 **CM 3-7 A-R-A-E-AVBE C-A-A-N**Product No.: [96935437](#)

Compact, reliable, horizontal, multistage, end-suction centrifugal pump with axial suction port and radial discharge port. The shaft, impellers and chambers are made of stainless steel. The inlet and discharge parts are made of cast iron. The mechanical shaft seal is a special designed, unbalanced O-ring seal. Pipework connection is via internal Whitworth pipe threads, Rp (ISO 7/1).

The pump is fitted with a 1-phase, foot-mounted, fan-cooled asynchronous motor.

Controls:

Frequency converter: NONE

Liquid:

Pumped liquid: Water  
Liquid temperature range: -20 .. 90 °C  
Selected liquid temperature: 20 °C  
Density: 998.2 kg/m<sup>3</sup>

Technical:

Pump speed on which pump data are based: 2900 rpm  
Rated flow: 3.1 m<sup>3</sup>/h  
Rated head: 48.88 m  
Code for shaft seal: AVBE  
Approvals: CE,WRAS,ACS,EAC  
Curve tolerance: ISO9906:2012 3B

Materials:

Pump housing: Cast iron  
EN-GJL-200  
ASTM A48-25A  
Impeller: Stainless steel  
EN 1.4301  
AISI 304

Installation:

Range of ambient temperature: -20 .. 55 °C  
Maximum operating pressure: 10 bar  
Max pressure at stated temp: 10 bar / 40 °C  
6 bar / 90 °C

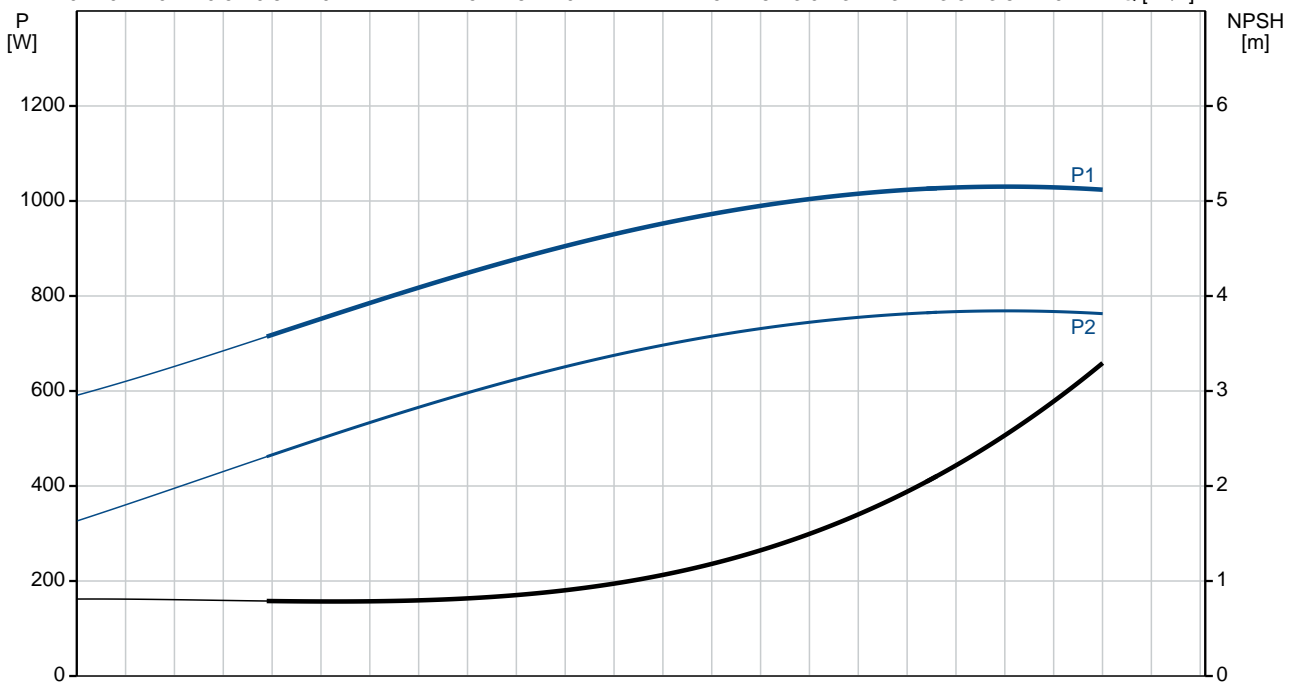
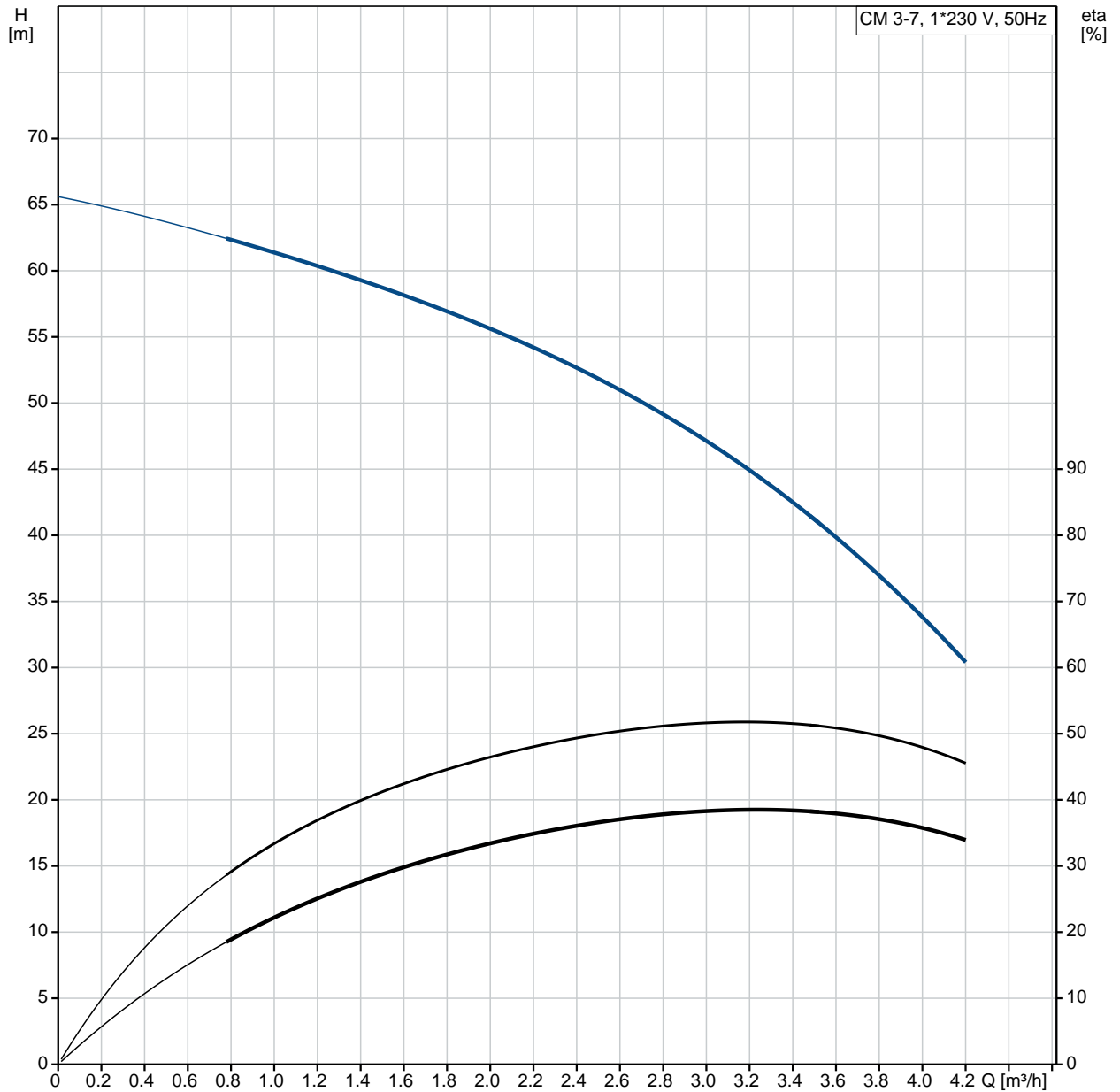
Type of connection: Rp  
Size of inlet connection: 1 inch  
Size of outlet connection: 1 inch  
Outlet position: 12

Electrical data:

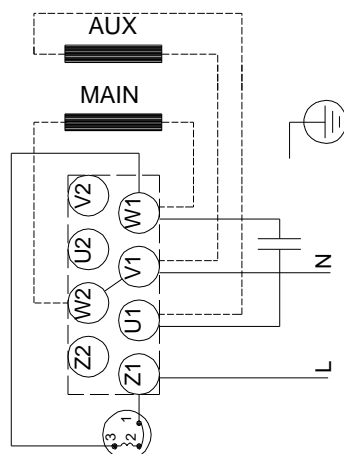
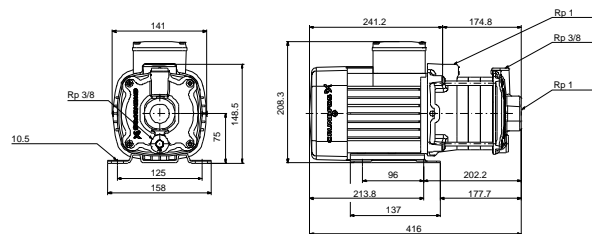
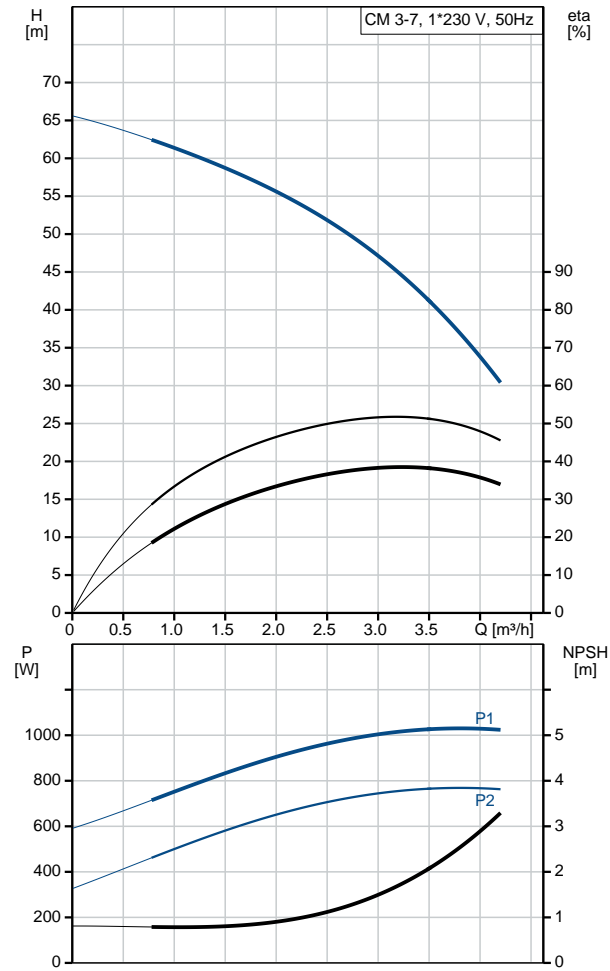
Motor standard: IEC  
Frame size: 80B  
Rated power - P2: 0.9 kW  
Mains frequency: 50 Hz  
Suitable for 50/60 Hz: N  
Phases: 1  
Rated voltage: 220-240 V V  
Service factor: 1.00  
Rated current: 5.4-5.0 A  
Starting current: 430-430 %  
Rated speed: 2750-2790 rpm

Qty.	Description
	Enclosure class (IEC 34-5): IP55 Insulation class (IEC 85): F Built-in motor protection: PTO Cable included (Yes/No): N
	Others: Terminal box position: 12 Minimum efficiency index, MEI $\eta_{\%}$ : 0.7 Net weight: 15.6 kg Gross weight: 18.1 kg

# 96935437 CM 3-7 A-R-A-E-AVBE C-A-A-N 50 Hz

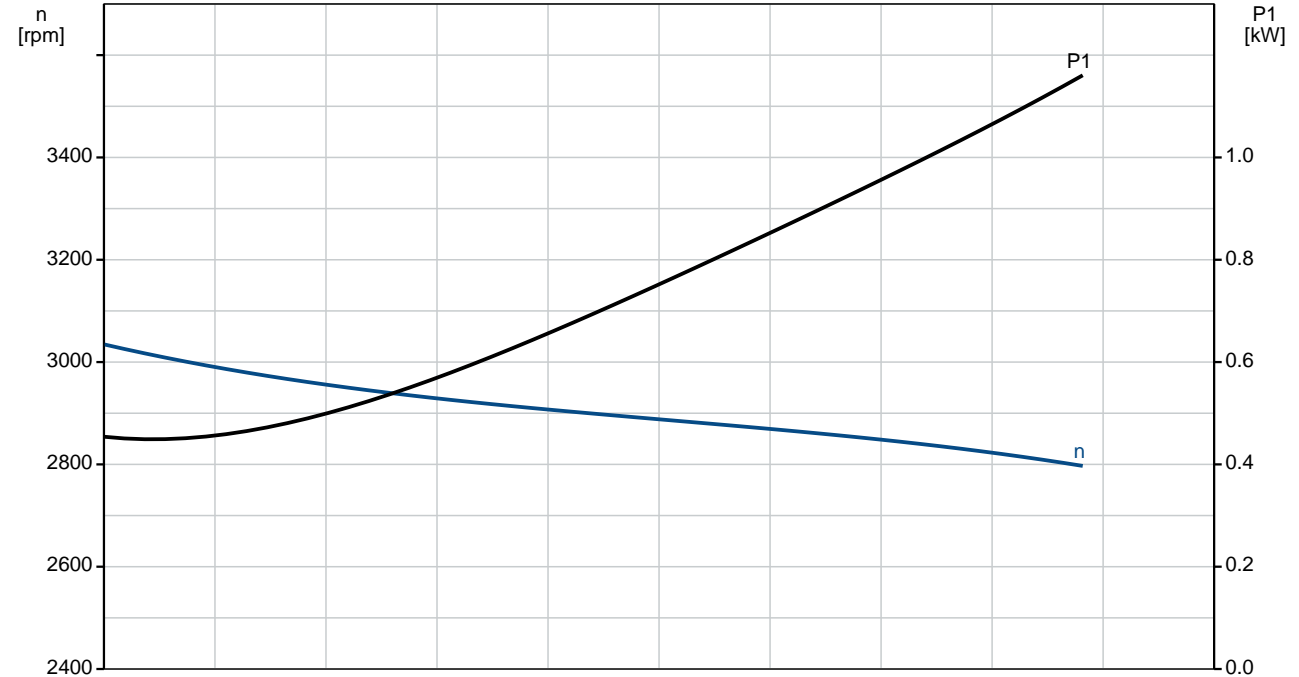
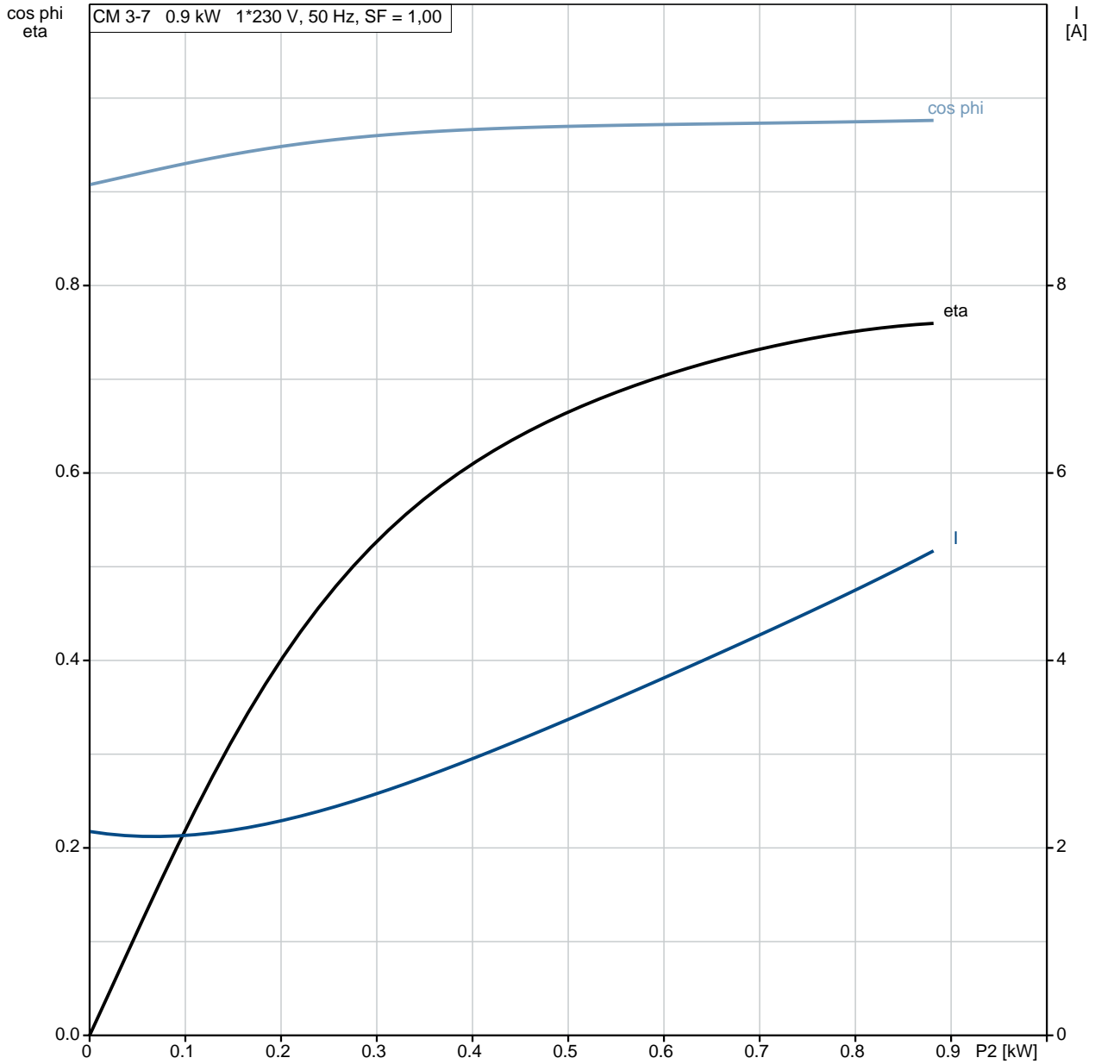


Description	Value
<b>General information:</b>	
Product name:	CM 3-7 A-R-A-E-AVBE C-A-A-N
Product No:	96935437
EAN number:	5700314053451
<b>Technical:</b>	
Pump speed on which pump data are based:	2900 rpm
Rated flow:	3.1 m <sup>3</sup> /h
Rated head:	48.88 m
Impellers:	7
Code for shaft seal:	AVBE
Approvals:	CE,WRAS,ACS,EAC
Curve tolerance:	ISO9906:2012 3B
Pump version:	A
Model:	A
<b>Materials:</b>	
Pump housing:	Cast iron
Pump housing:	EN-GJL-200
Pump housing:	ASTM A48-25A
Impeller:	Stainless steel
Impeller:	EN 1.4301
Impeller:	AISI 304
Material code:	A
Code for rubber:	E
<b>Installation:</b>	
Range of ambient temperature:	-20 .. 55 °C
Maximum operating pressure:	10 bar
Max pressure at stated temp:	10 bar / 40 °C
Max pressure at stated temp:	6 bar / 90 °C
Type of connection:	Rp
Size of inlet connection:	1 inch
Size of outlet connection:	1 inch
Outlet position:	12
Connect code:	R
<b>Liquid:</b>	
Pumped liquid:	Water
Liquid temperature range:	-20 .. 90 °C
Selected liquid temperature:	20 °C
Density:	998.2 kg/m <sup>3</sup>
<b>Electrical data:</b>	
Motor standard:	IEC
Frame size:	80B
Rated power - P2:	0.9 kW
Mains frequency:	50 Hz
Suitable for 50/60 Hz:	N
Phases:	1
Rated voltage:	220-240 V V
Service factor:	1.00
Rated current:	5.4-5.0 A
Starting current:	430-430 %
Rated speed:	2750-2790 rpm
Enclosure class (IEC 34-5):	IP55
Insulation class (IEC 85):	F
Built-in motor protection:	PTO
Cable included (Yes/No):	N
<b>Controls:</b>	
Frequency converter:	NONE
<b>Others:</b>	
Terminal box position:	12
Minimum efficiency index, MEI $\eta_{min}$ :	0.7
Net weight:	15.6 kg
Gross weight:	18.1 kg

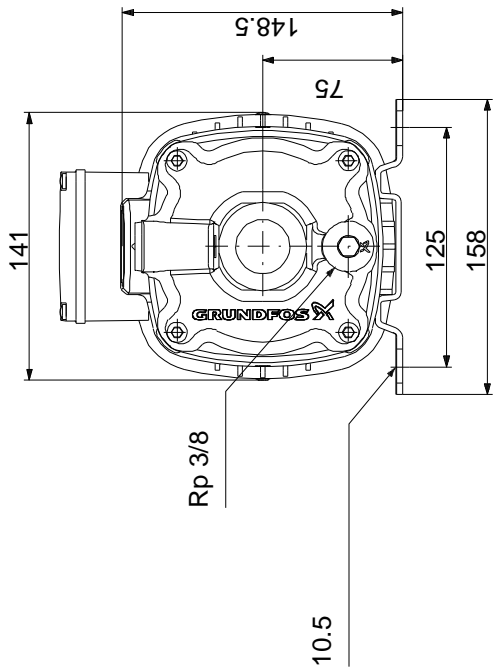
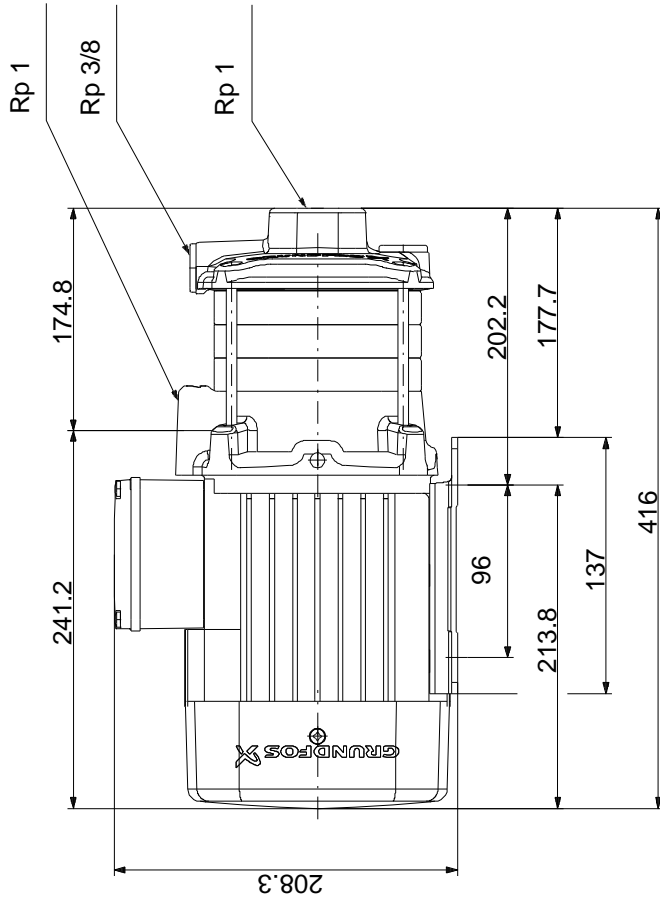


# 96935437 CM 3-7 A-R-A-E-AVBE C-A-A-N 50 Hz

CM 3-7 0.9 kW 1\*230 V, 50 Hz, SF = 1,00

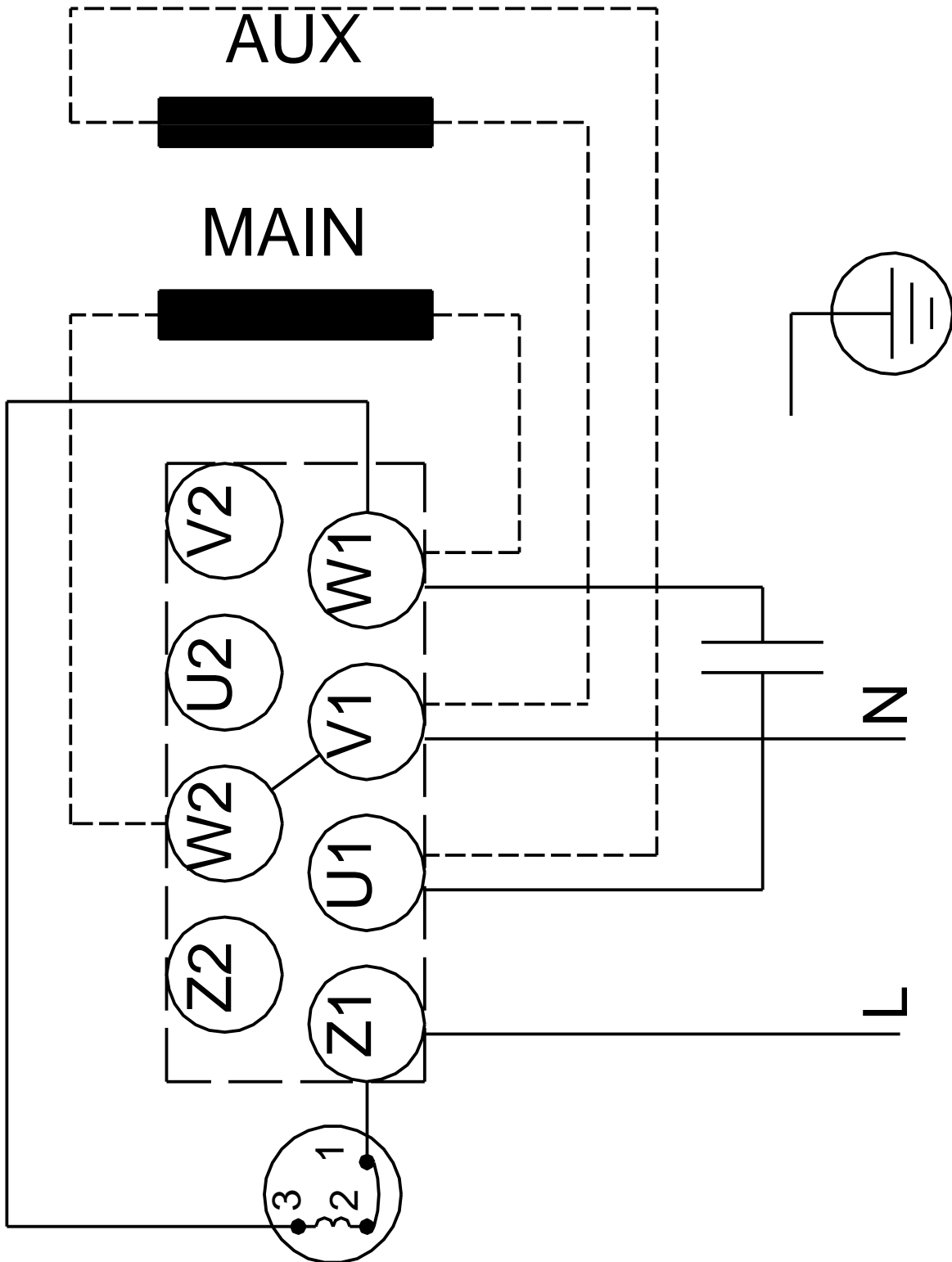


# 96935437 CM 3-7 A-R-A-E-AVBE C-A-A-N 50 Hz



Note! All units are in [mm] unless others are stated.  
 Disclaimer: This simplified dimensional drawing does not show all details.

96935437 CM 3-7 A-R-A-E-AVBE C-A-A-N 50 Hz



Note! All units are in [mm] unless others are stated.